



**FORTBRAND**  
QUALITY • TRUST • RELIABILITY

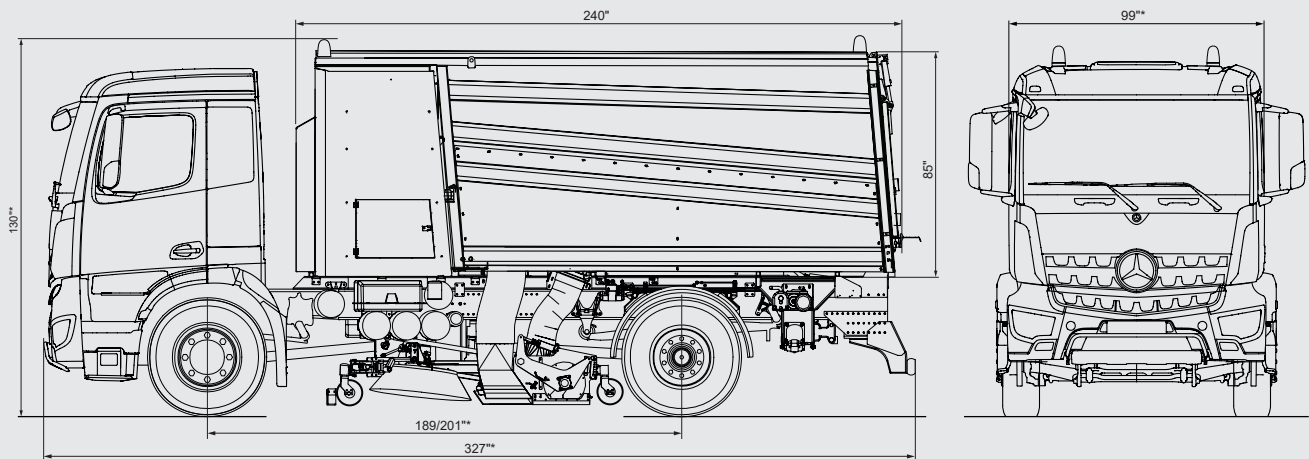
# Bucher **V95t aero**

---

High Speed Runway & Multitask Airport Sweeper



# Bucher MaxPowa V95t aero



## Dimensions

Length*	327"
Width*	99"
Height *	130"
Wheelbase (E3/5 chassis)*	189" nominal
Wheelbase (E6 chassis)*	201" nominal
Weight (empty)*	31,747 lbs

## Noise level cab

<75 dB(A) \*

## Sweep gear and sweep speed

Swept width (no side brooms)	99"
Swept width (with side brooms)	134"
Sweep speed (no side brooms)	25 mph
Sweep speed (with side brooms)	10 mph

## Chassis

GVM	Chassis dependent
Axle config	4x2

## Diesel fuel tank

Capacity (shared sweeper & chassis)*	76 gallons
--------------------------------------	------------

## Auxiliary engine

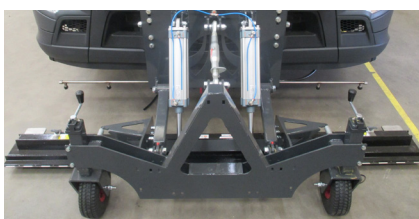
Mercedes Benz OM 906LA	Stage 3a**
Cylinders	6
Displacement	6400 cc
Gross Power	205 kW @ 1950 rpm
Torque	1150 Nm @ 1200 rpm
Max torque	440 Nm @ 1300 rpm

## Optional Auxiliary Engine

Mercedes Benz OM 936LA	Stage 5
Cylinders	6
Displacement	7700 cc
Gross Power	210kW @ 1950 rpm
Torque	1200 Nm @ 1200 rpm

\* Dependent on chassis and/or option selected  
\*\* Not for EU

## Features



### Magnet

Optional front or rear mounted permanent magnet bar fitted with hinged aluminum protection cover to enable easy cleaning and removal of ferrous material.



### HMI Centre console

CAN bus enabled sweeper controls and information display integrated into an easy to navigate console which can be adjusted to suit the operators preferred position.



### Rear Mounted Wanderhose

The powerful vacuum performance makes easy work of cleaning catch basins in confined areas that the sweepgear can't reach.